

SENKO

For perfectly warm home

INSTRUCTION MANUAL - **INSTALLATION**

SOLID FUEL COOKERS



- SG-50
- SG-60
- SG-60 PREMIUM
- SG-75
- SG-90



*For a perfect
warm home!*



Dear client, thank you for choosing a SENKO cooker!

This product was designed and manufactured to its minutest details in order to fulfill your every need for functionality and safety

With the help of *Instruction manual - INSTALLATION* you will learn to correctly install the product, and using the *Instruction manual - HANDLING* you will learn to use the product

Both manuals can be found at <http://en.senko.hr/>, or you can request them at info@senko.hr.

Senko management



CONTENTS

1. INSTALLATION	2
1.1. POSITIONING.....	2
1.2. CHIMNEY PREPARATION AND CONTROL	3
1.3. CONNECTING TO CHIMNEY.....	3
1.4. FRESH AIR VENTS	5
1.5. OVEN THERMOMETER.....	7
1.6. INSTALLATION TESTING	7
1.7. HEIGHT ADJUSTMENT.....	7
2. TECHNICAL DATA	11
3. TECHNICALSUPPORT	12
4. TERMS OF WARRANTY	12
WARRANTY	13
INSTALLATION REPORT	13

1. INSTALLATION

Once you have removed packaging from the cooker, it is necessary to **make a detailed inspection in order to determine any potential damages** that might have occurred during transport. Any detected damages must instantly be reported to the manufacturer.

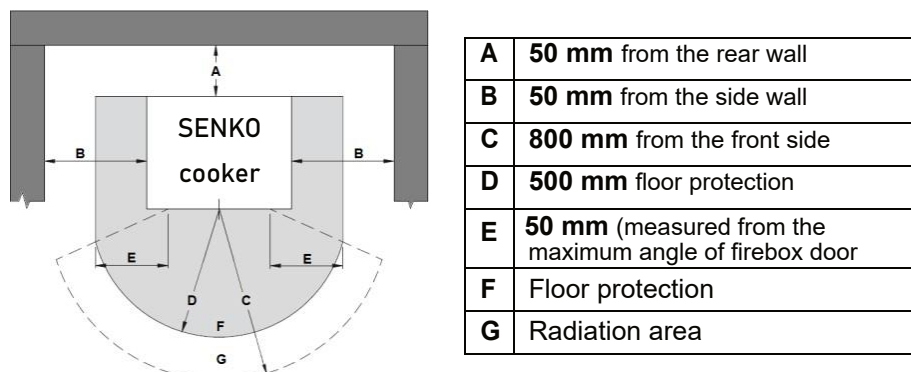
In places of any connection points on the cooker (chimney, air inlet), **inspection hatches must be installed for system maintenance and servicing purposes.**

1.1. POSITIONING

A spirit level must be used to place the cooker in a horizontal position with no incline. It is necessary to ensure **the minimum distance of the cooker from any flammable objects**; such as wood, chipboard, cork and similar. If the materials are easily combustible such as PVC, polyurethane and similar, the necessary safety distances need to be doubled.

The minimum distance from any flammable surfaces above is 1000 mm and in front of the cooker is 800 mm, and 50 mm in all other directions.

When mounting the cooker on the floor made from easily combustible material (**wooden floors**), the cooker must be **mounted on an insulating non-combustible surface.**



A cooker should not be placed in rooms where there are gas stoves or cookers, and in the bathroom, in buildings intended as laundries or similar. The same applies for rooms or flats with air circulation or hot air circulation with ventilation systems (air condition, extractor or kitchen hoods), **EXCEPT** if such ventilation systems have safety mechanisms, which sustain the air pressure above 4 Pa in a room, where the cooker is mounted or in rooms which are in direct contact with exterior air.

It is recommended to place the cooker as close as possible to the chimney hole, i.e. next to the chimney hole itself in order to avoid using an additional smoke uptake pipe (Figure 6a)!

If you want to place the cooker **between the kitchen elements**, it is necessary to **ensure the safety distances** (spacing between the cooker and the kitchen element intended for air circulation - cooling) **depending on the temperature durability shown in the certificate of the material used to make the kitchen element.**

Here also you should take care on how to ensure **access to a cooker for maintenance and servicing.**

1.2. CHIMNEY PREPARATION AND CONTROL

Prior to cooker mounting, it is necessary to check the chimney – the diameter, height, possible clogging or damages. The chimney must be **certified by an authorized local chimney-sweeper**. The effective **chimney height** must be **at least 5 meters** from the point of flue gases outlet (*Figure 1c*).

Flue draught must be within parameters 12 ± 2 Pa.

The chimney must be **at least 0,5 meters above the roof ridge** (see *Figure 1c*). The **minimum distance between the two connections on the same chimney must be 60 cm** (*Figure 1d*).

Chimney diameter is chosen according to information provided by the chimney manufacturer – e.g., for flue draught of 12 Pa, the diameter is usually 130 mm.

The chimney must be smooth on the inside, well insulated and well fastened. All cleaning hatches must be well fastened. All gaskets must be regularly inspected and replaced when necessary.

1.3. CONNECTING TO CHIMNEY

When connecting the cooker to the chimney it is necessary to adhere to local, national and European regulations (norms) – **DIN 4705**.

It is necessary to ensure that **the connection between the cooker and the chimney is executed tightly and impermeably**. Smoke outlet pipe must have a **suitable incline (minimum 3°)** in cases where the cooker is removed from the chimney opening.

Smoke outlet pipe must not penetrate into the chimney clear opening (*Figure 1b*).

It is not allowed to reduce the prescribed pipe diameters!

Differences between the proper and improper connection of the cooker to the chimney are displayed in the following figure.

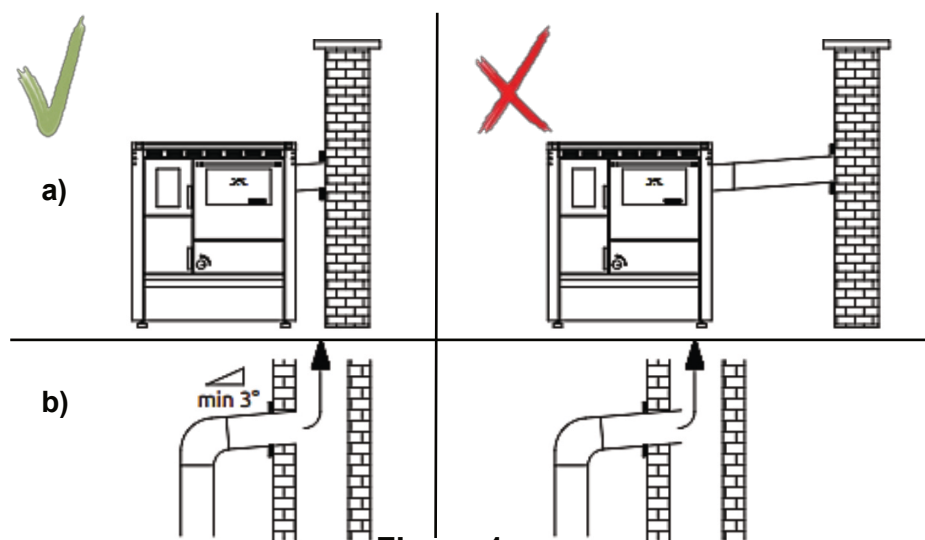


Figure 1

Differences between the proper and improper connection of the cooker to the chimney

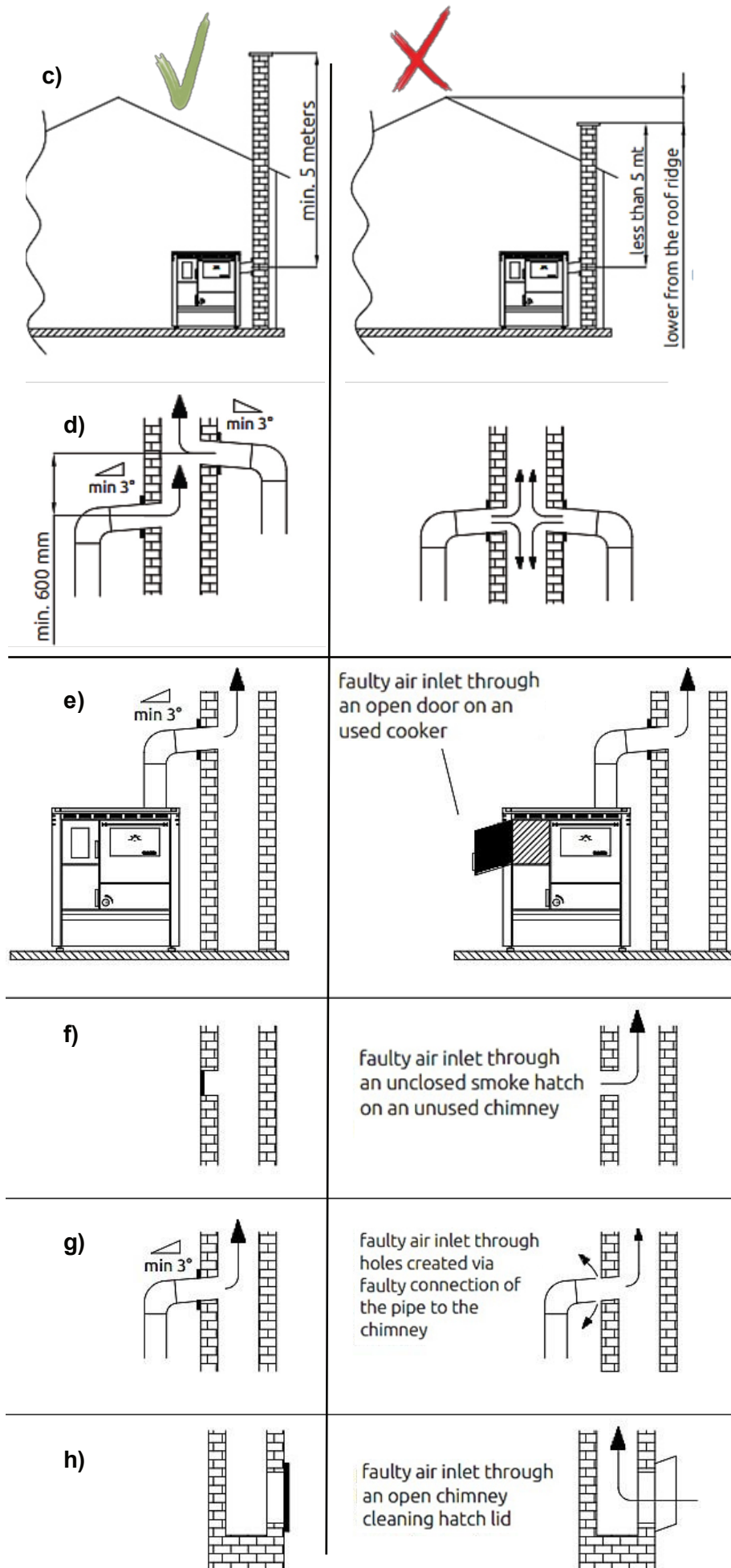


Figure 1

Differences between the proper and improper connection of the cooker to the chimney

Connect the cooker to the chimney **using a sliding rosette (in packaging), 120 mm** in diameter. Specially designed sliding rosette enables the adjustment of the chimney opening in tolerance of 1,5 cm upwards, i.e. downwards.

In case it is necessary to connect the cooker to the chimney **with vertical uninsulated pipe**, use the smoke outlet pipe, **up to 125 cm maximum length**.

If the cooker is further removed from the chimney opening, it is connected via extension tube and an elbow. The extension smoke inlet pipe must have an appropriate incline (see Figure 6) and must not exceed 100 cm in length. The connection of the chimney and the smoke inlet pipe must be completely fastened!

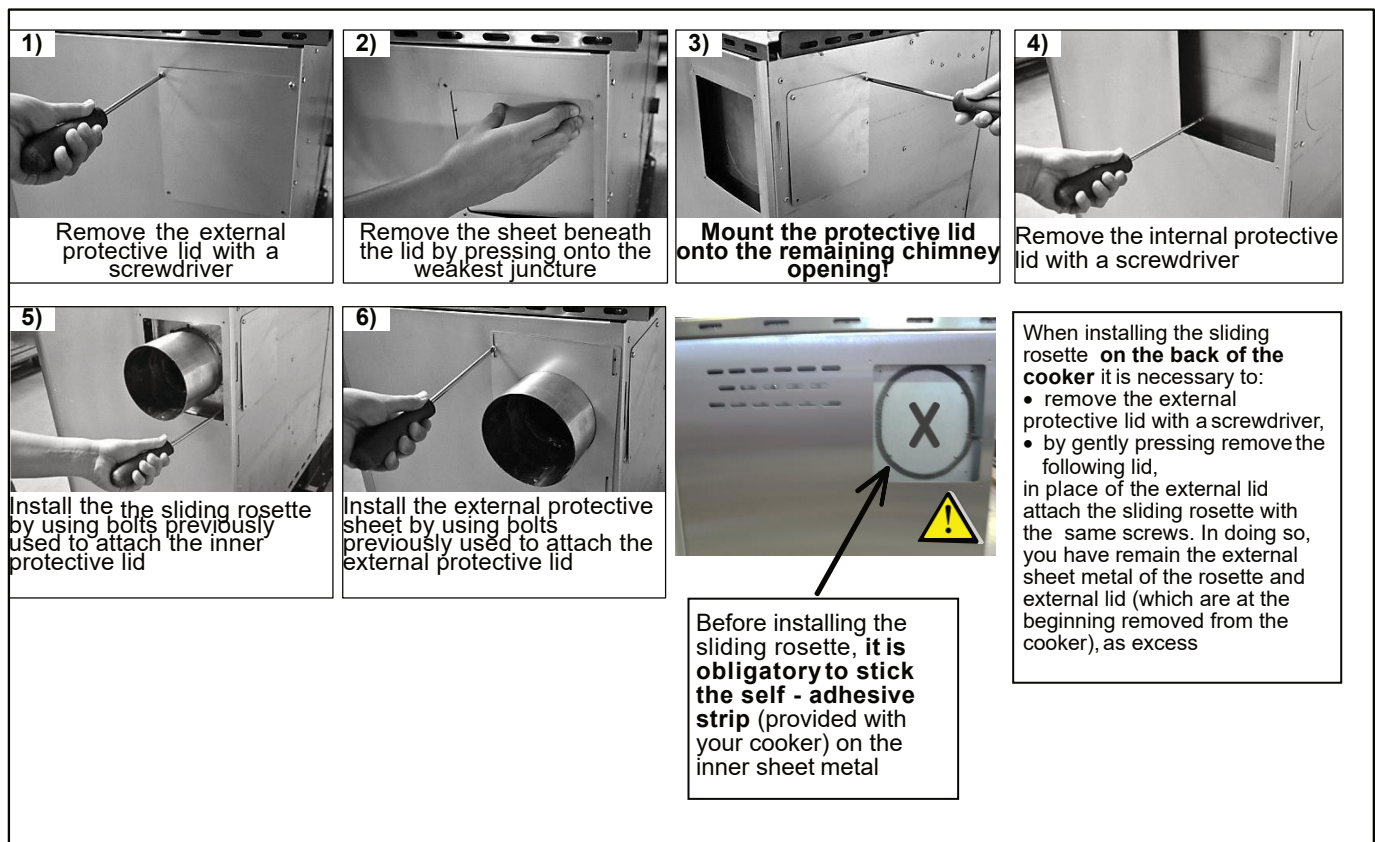


Figure 2
Installation process of sliding rosette

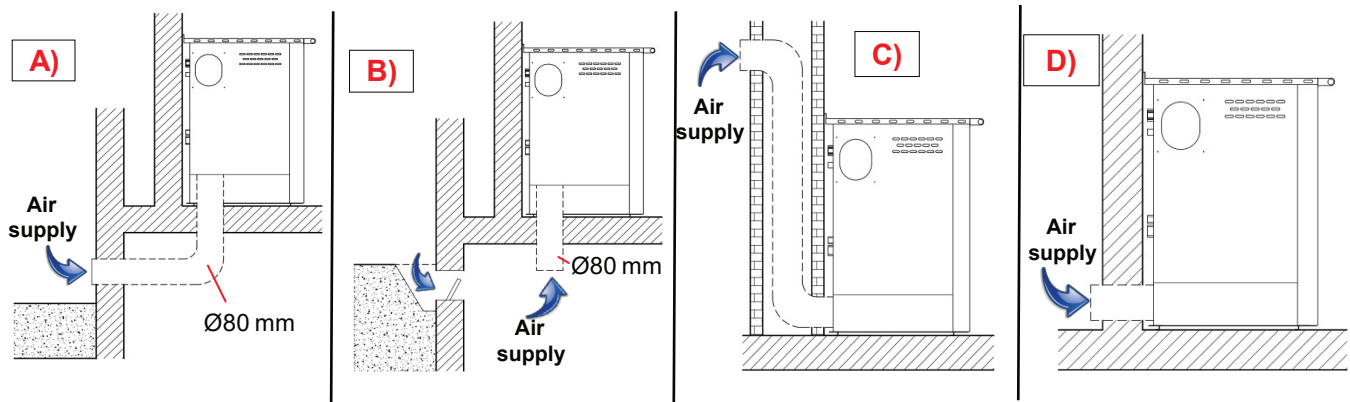
1.4. FRESH AIR VENTS

The room where the cooker is installed **must be provided with sufficient air inflow to ensure combustion**. The area must be regularly ventilated.

The fresh air vent must be situated **near the room floor** and allow the inflow of fresh air into the room. **The minimum dimension of the vent must be 6 cm² per kW of nominal power.**

A pipe can also be installed on the existing opening Ø80mm on the rear side of the cooker, for the purpose of entering fresh outside air – see also Figure 1.

ORIENTEERING and SIMPLIFIED schemes of connecting to the combustion air supply



A) Combustion air supply via pipe line through a basement room

The combustion air is preheated with this connection option, which is favorable to a clean combustion. The routing in the basement room is easy to make.

B) Combustion air supply via a basement room

The combustion air is preheated. The basement room must be excluded from the home ventilation system and be open to the outside. High levels of dust and moisture should be avoided.

C) Combustion air supply from above

An air supply from above may only be performed with tested chimney systems. A chimney calculation is mandatory here!

D) Combustionair supply directly from outdoor

With an air supply directly through the outside wall, the combustion air is only slightly preheated, which is unfavorable to a clean combustion. There is also the danger of condensation!

NOTE: This version of the air supply is not recommended!

Please be aware!

- A prerequisite for the connection of cooker used in combination with domestic ventilation systems is that the approval of the local qualified chimney sweep is obtained!
- It is not permitted to install cut-off devices in the supply air duct (dampers, sliders, etc.). To prevent air from permanently flowing through the appliance when it is not in use, close the dampers in the appliance.

- Make sure that the outdoor air inlet is protected against blockage by means of a protective grating.
- For the supply air duct to the combustion air connecting piece it is best to use a non-combustible, flexible aluminium hose. Max. length 4 m with 3 bends.
- The supply air duct must be insulated to avoid condensation and must be protected against wind!
- According to the regulations for chimney sweeping and inspection ventilation systems must be checked for blockages once a year by the local qualified chimney sweep. To facilitate this, appropriate inspection doors should be provided. Please consult your local qualified chimney sweep regarding this matter.

1.5. OVEN THERMOMETER

Thermometer (18) indicates the oven temperature; this value is informative. **If the oven temperature exceed 300°C, the oven must be partly opened to prevent damage to the thermometer, oven door hinge and oven door.**

The warranty will be void in case the damage to the parts listed before occurred from excessive oven temperature.

1.6. INSTALLATION TESTING

Prior to initial firing it is necessary to check if the smoke uptake pipe is properly fastened.

1.7. HEIGHT ADJUSTMENT

On the cooker base (3) there are 4 feet with screw to **adjust the height 850 – 920 mm of the cooker.**

Adjustment is made by turning the screw M10 to the desired height. After that, the M10 nut needs to be tightened with a wrench OK17 to avoid damaging of the feet.

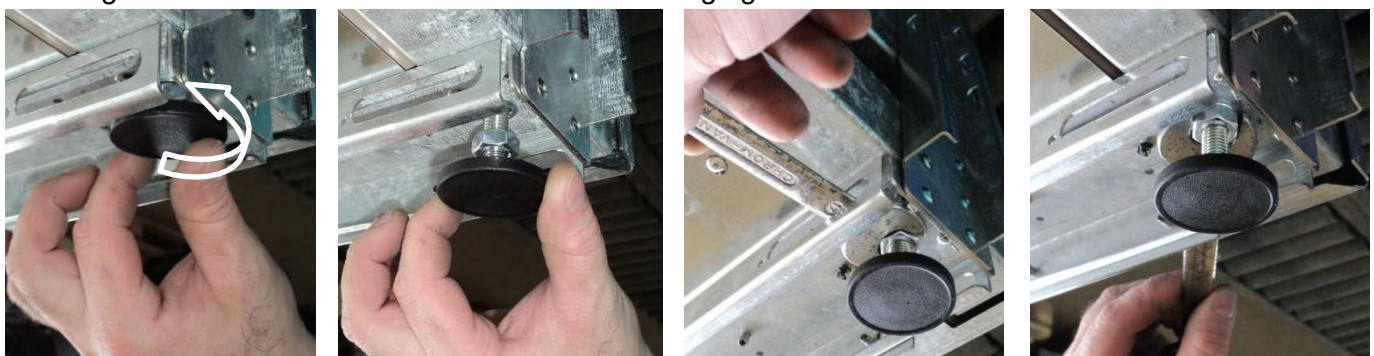


Figure 3

2. TECHNICAL DATA

SENKO cooker		SG-50	SG-60	SG-60 PREMIUM	SG-75	SG-90
Nominal heat output, kW		7,2	7,5	7,5	8,1	8,6
Room, kW		7,2	7,5	7,5	8,1	8,6
Weight, kg		133	151	158	151	170
Cooking plate (W×H), mm		390×440	460×438	460×438	640×480	787×480
Oven (W×D×H), mm		260×200×450	360×260×450	360×260×450	330×270×440	400×230×440
Flue gases exhaust, mm		Ø 120				
Primary air connection, mm		Ø 80				
Required flue draught, Pa		12			12	13
Efficiency, %		81,2	82,6	82,6	87	84,7
Regulation	Primary air	manual				
	Secondary air	manual				
Movable firebox grate		-			-	
Cooker height, mm		850-920				
Oven door		Fireproof glass				
Energy efficiency class		A+	A+			

- technical specification apply to wood logs and wooden briquettes used as fuel
- technical specifications are indicative and may vary as such. The manufacturer withholds the right to change any technical specification to further improve the products.

3. TECHNICAL SUPPORT

Dear client,

If you were unable to find the solution to the malfunctions, that potentially developed while using your product, in the table above, please feel free to contact our complaint and support service:

- Tel: 040 337-344
- E-mail: info@senko.hr, podrska@senko.hr

WE'D LIKE TO TAKE THIS OPPORTUNITY TO REMIND YOU WHAT YOU NEED TO POSSES WHEN CONTACTING OUR COMPLAINT AND SUPPORT SERVICE:

Before you contact us, prepare the following documents:

- **purchase receipt with the date of purchase,**
- **warranty** (at the back of this *Manual*),
- **written installation report** (at the back of this *Manual*),
- **Instruction manual.**

The documents listed above are necessary to ensure the quickest and clearest removal of the occurring malfunction !

4. TERMS OF WARRANTY

These warranty conditions are valid in all European countries, in which SENKO products are sold. The client addresses the manufacturer/dealer or the nearest authorized servicing agent for all complaints; providing the purchase receipt with the date of purchase, warranty and installation report in the process.

DURATION OF THE WARRANTY

Manufacturer SENKO d.o.o. provides a **2-year** warranty for its product, in the case of production faults and construction materials. Oven thermometer, oven grid, manual regulator, regulation buttons, oven door hinges) have a **6-months** warranty.

The manufacturer guarantees that the product was produced according to the EN 12815 norm and that it complies with all the demands set by the norm. The user is obligated to adhere to the Instruction manual.

EXCEPTIONS

Exceptions are parts subject to wear such as chamotte and chamotte plates, firebox grate, ash box, seals and glass panes.

Chamotte plates – changes in colour or cracks are dependent on the material and can never be completely ruled out. However, they do not impair the functioning of the appliance (as long as the plates remain in the firebox) and they are not a motive for complaint.

Glass (door, panels, CERAN cooking plate) - breakage or damage of the glass because of external hazard, changes on the surface due to thermal influences such as fly-ash or soot at the surface of the glass.

Discolouring of paint due to overload of thermal strain.

Seals - e.g. hardening or breakage due to thermal or mechanical strain. **Surface coatings** - frequent cleaning or cleaning with abrasive cleaning agents.

Castings and parts which are subject to high thermal stress - firebox grate, cooking plate or ash box.

Heat exchanger (boiler) is not subject to the warranty in the event in which it is not secured with adequate anti-condensate circuit which guarantees a minimum return water temperature of at least 55°C (*only at central heating cookers*).

REPAIRS

Possible repairs within the warranty will be executed within 30 days from the date of product delivery to the manufacturer. Should the repairs not be executed within 30 days from the delivery to the manufacturer, the product will be replaced with a new one. The manufacturer will notify the client about the executed repairs. The client is obligated to take over the product within 5 days from the repair completion.

COSTS

The manufacturer does not defray any delivery and return costs.

Prior to commencement of repairs within the warranty (for damages caused by incorrect use, cooker transport and mounting), the manufacturer will notify the client about the repair price in written form. Once the client agrees, the manufacturer will execute the repairs and charge the client for the repairs.

SPARE PARTS

Original parts replaced within the warranty do not have to match the removed parts in external physical appearance, but they must match them in quality and functionality.

DISCLAIMER OF LIABILITY

Manufacturer cannot accept any liability for the loss or the damage of an appliance through theft, fire, vandalism or similar causes. Indirect or direct damage caused to the product, which is the result of improper transportation of the product, are excluded from the liability. We cannot accept any liability for damages caused by chemical or electrochemical effects (e.g. pollutants in the combustion air and similar) which are the result of improper installation of the product and violation of this Instruction manual - Installation and Instruction manual - Handling.

ADDITIONAL TERMS

Small dimensional differences in construction materials and parts of the cooker are not a reason for complaint. During the period in which the product was inefficient, we will not grant any compensation. This warranty applies only to the customer specified in the warranty sheet and cannot be transferred to others.

The warranty is void if the user made alterations to the product without manufacturer's prior knowledge. If the user was negligent and performed maintenance on the wrong way. If the user is using fuel that is not compliant with the types and quantities indicated in this Manual

The warranty is valid if the installation was executed by an authorized professional and upon presenting the written installation report.

Possible disputes to be settled by the competent Court in Cakovec

The manufacturer SENKO d.o.o. withholds the right to alter any technical details, data and photographs published in this manual without prior warning, for the purpose of improving its products. Photographs of the cooker, parts, elements and equipment published in this manual can be different from the actual items.

COMPLETED BY THE CHIMNEY-SWEEPER

Chimney connection executed by the company :

Company/Business: _____ Person in charge: _____
stamp and signature
 Street: _____ City: _____
 Telephone: _____ Country: _____
 Date: _____ Client signature: _____

Chimney

Type:
 Dimensions (mm):
 Height (m):
 Draught (Pa):
 Flue gases exit temperature (°C):
 Last inspection date:
 Number of connections:

Smoke venting pipe (if connected)

Cross-section (mm):
 Length (m):
 Number of elbows:

Air supply pipe (if connected)

Cross-section (mm):
 Length (m):
 Number of elbows:

WARRANTY No. _____

SOLID FUEL COOKER:

SG-60 SG-60
 SG-75 L SG-75 D SG-90 L SG-90 D

SERIAL NUMBER: _____

DATE OF MANUFACTURE: _____

STORE NAME AND ADDRESS: _____

CLIENT NAME AND ADDRESS: _____

DATE OF PURCHASE: _____

STORE STAMP AND DEALER SIGNATURE: _____

Faulty product date of receipt: _____ Malfunction description (client): _____ Servicing agency comments: _____ Servicing completed on date: _____ Stamp and servicing technician signature: _____	Faulty product date of receipt: _____ Malfunction description (client): _____ Servicing agency comments: _____ Servicing completed on date: _____ Stamp and servicing technician signature: _____
---	---

Information: **Complaints within warranty – product**

SENKO

Vladimira Nazora 22, Štefanec, 40000 Čakovec, Hrvatska

Tel: +385 (0)40 33 73 44 • E-mail: info@senko.hr

www.senko.hr



... THE SPIRIT OF
TRADITION IN
MODERN FORMS FOR
A HEALTHY
ENVIRONMENT.

facebook.

YouTube

Instagram



You can find *Instruction manual - INSTALLATION*
and *Instruction manual - HANDLING*
at <http://en.senko.hr/>